

LEVER FURNITURE

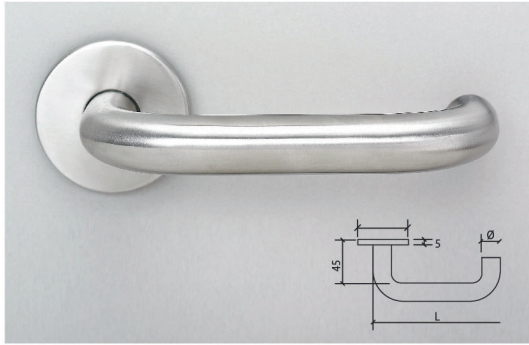
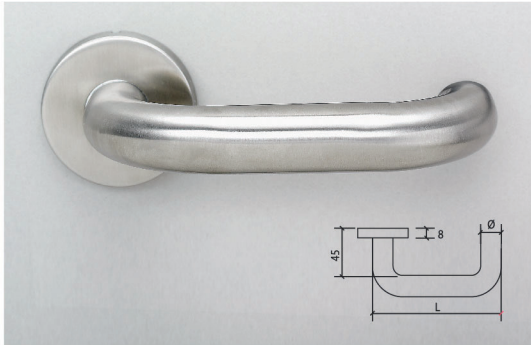
LEVER HANDLES - ROSE MOUNTED

Round bar 'return to door' lever pre-fixed to a sprung rose

Supplied with 'bolt through' and face fixings

Metal inner rose | 8mm spindle supplied

Conforms to the dimensional requirements of BS8300 for DDA Applications



| Item no. | Ø | L | Finishes | | Unit |
|------------------------------------|----|-----|----------|----|------|
| | | | SS | PS | |
| LG.LA02.140.01.153 Lever handle | 19 | 140 | • | • | pair |
| LG.LA10.140.01.153 Lever handle | 22 | 140 | • | • | pair |

| Item no. | Ø | L | Finishes | | Unit |
|--------------------------------------|----|-----|----------|----|------|
| | | | SS | PS | |
| LG.LA02.5.140.01.153 Lever handle | 19 | 140 | • | • | pair |
| LG.LA10.5.140.01.153 Lever handle | 22 | 140 | • | • | pair |

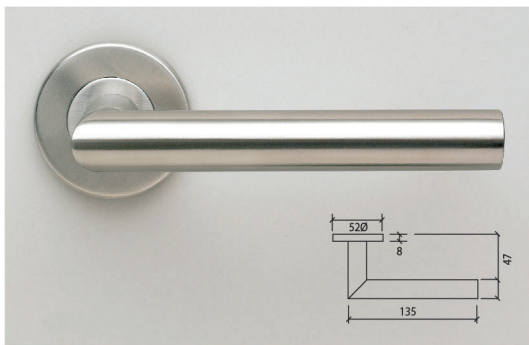
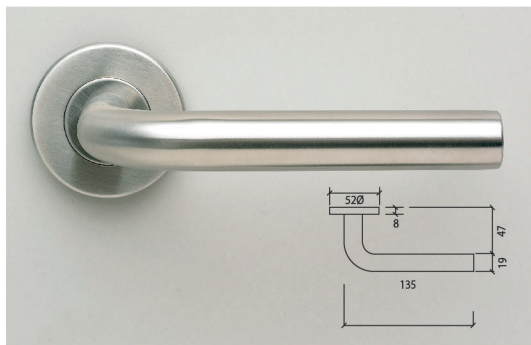
LEVER HANDLES - ROSE MOUNTED

Stainless steel lever handles on 8mm sprung rose.

Levers are pre-fixed to the rose inner with push on rose covers to conceal fixings

Available in Satin (SS) | Polished (PS) finish available to order

Supplied with bolt through back to back fixings and alternative face fixings



| Item no. | Description | SS | PS | Unit |
|---|-------------|----|----|------|
| LG.LA130.137.01.153 Straight round bar lever | | • | • | pair |

| Item no. | Description | SS | PS | Unit |
|--|-------------|----|----|------|
| LG.LA131.137.01.153 "Mitred" straight lever | | • | • | pair |

All dimensions are shown in mm

5 Year Guarantee

► Refer page No. 17 & 18 for Codes, Grades & Finishes

LEVER FURNITURE

LEVER HANDLES - ROSE MOUNTED

A special edition series of stylish stainless steel lever handles on 8mm sprung rose.

Lever handles are pre-fixed to the rose inner with push on rose covers to conceal fixings

Available in Satin (SS) | Polished (PS) finish available to order

Supplied with bolt through back to back fixings and alternative face fixings



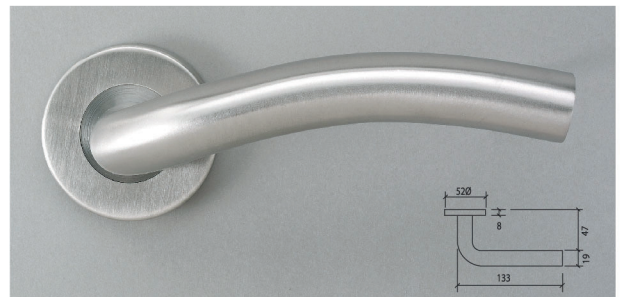
| | | SS | PS | Unit |
|--------------------|-------------------------|----|----|------|
| Item no. | LG. LA132.137.01.153 | | | |
| description | "Arched" straight lever | • | • | pair |



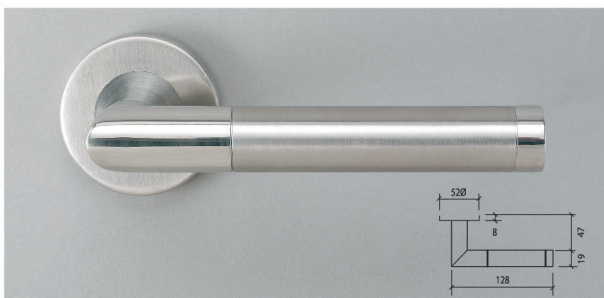
| | | SS | PS | Unit |
|--------------------|----------------------|----|----|------|
| Item no. | LG. LA133.137.01.153 | | | |
| description | "T" straight lever | • | • | pair |



| | | SS | PS | Unit |
|--------------------|-------------------------------|----|----|------|
| Item no. | LG. LA134.137.01.153 | | | |
| description | "Mitred" return to door lever | • | • | pair |



| | | SS | PS | Unit |
|--------------------|--------------------------|----|----|------|
| Item no. | LG. LA135.133.01.153 | | | |
| description | "ARC Form" rounded lever | • | • | pair |



| | | DSP | Unit |
|--------------------|-----------------------------------|-----|------|
| Item no. | LG. LA136.128.01.153 | | |
| description | "Duo Finish" Mitre straight lever | • | pair |



| | | SS | PS | Unit |
|--------------------|----------------------|----|----|------|
| Item no. | LG. LA137.133.01.153 | | | |
| description | "S" straight lever | • | • | pair |

All dimensions are shown in mm

5 Year Guarantee

► Refer page No. 17 & 18 for Codes, Grades & Finishes